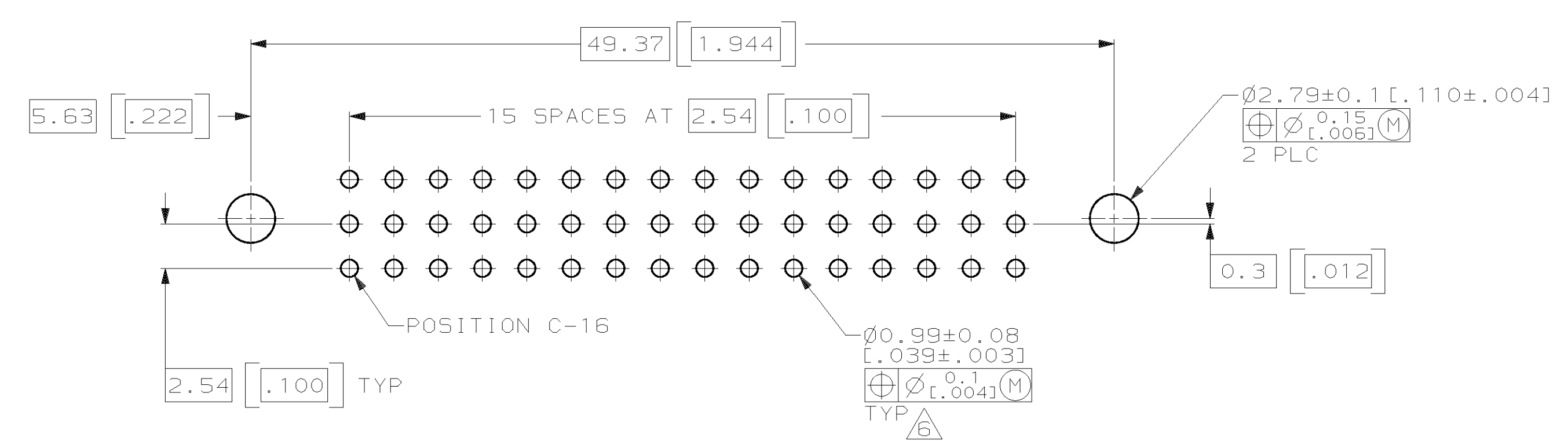
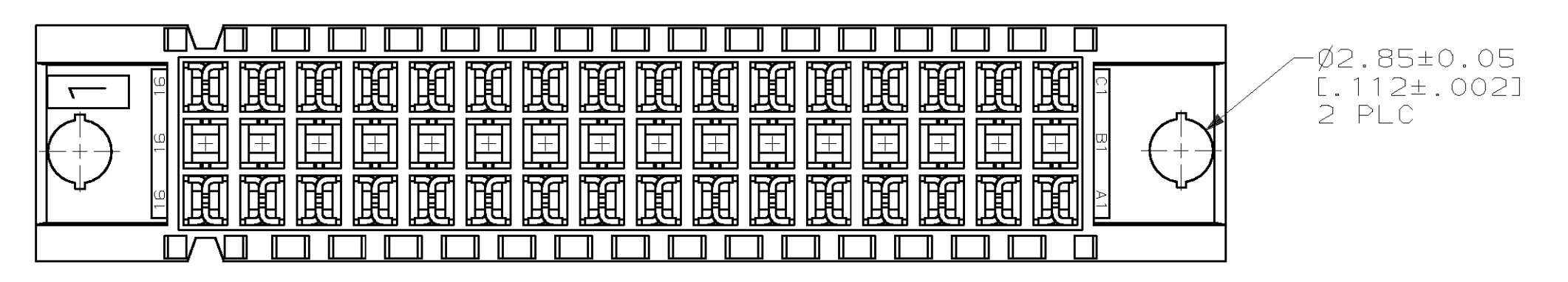
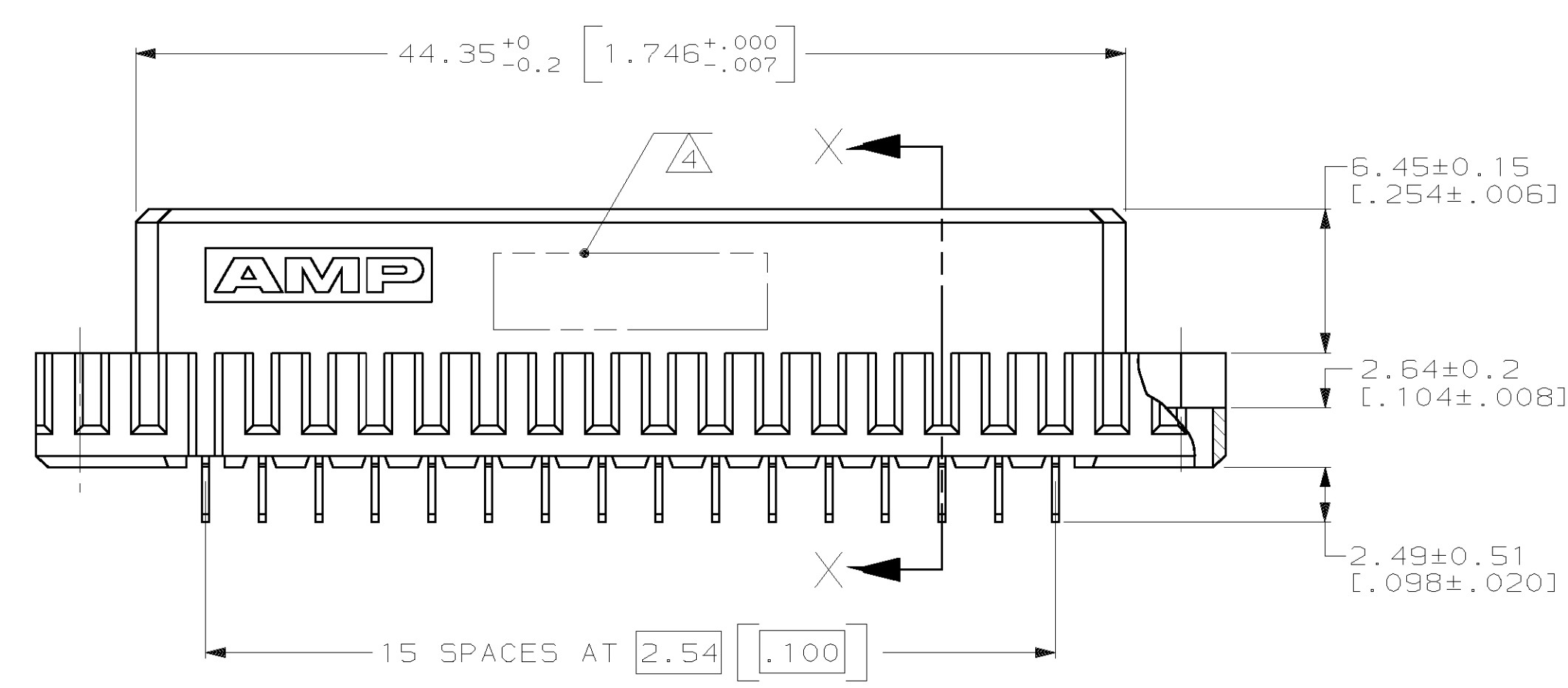
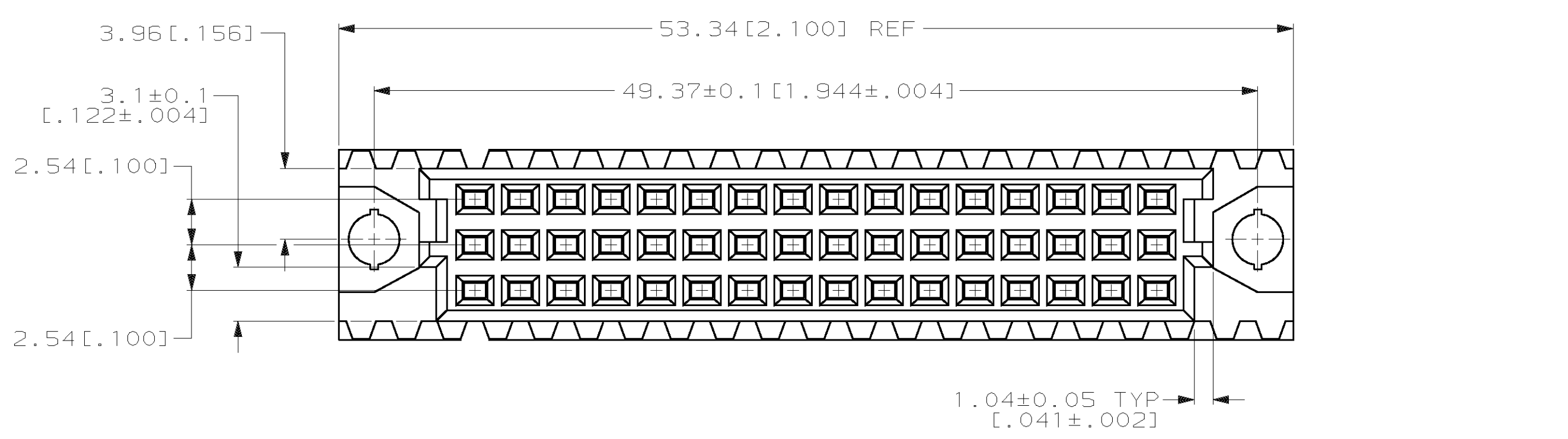
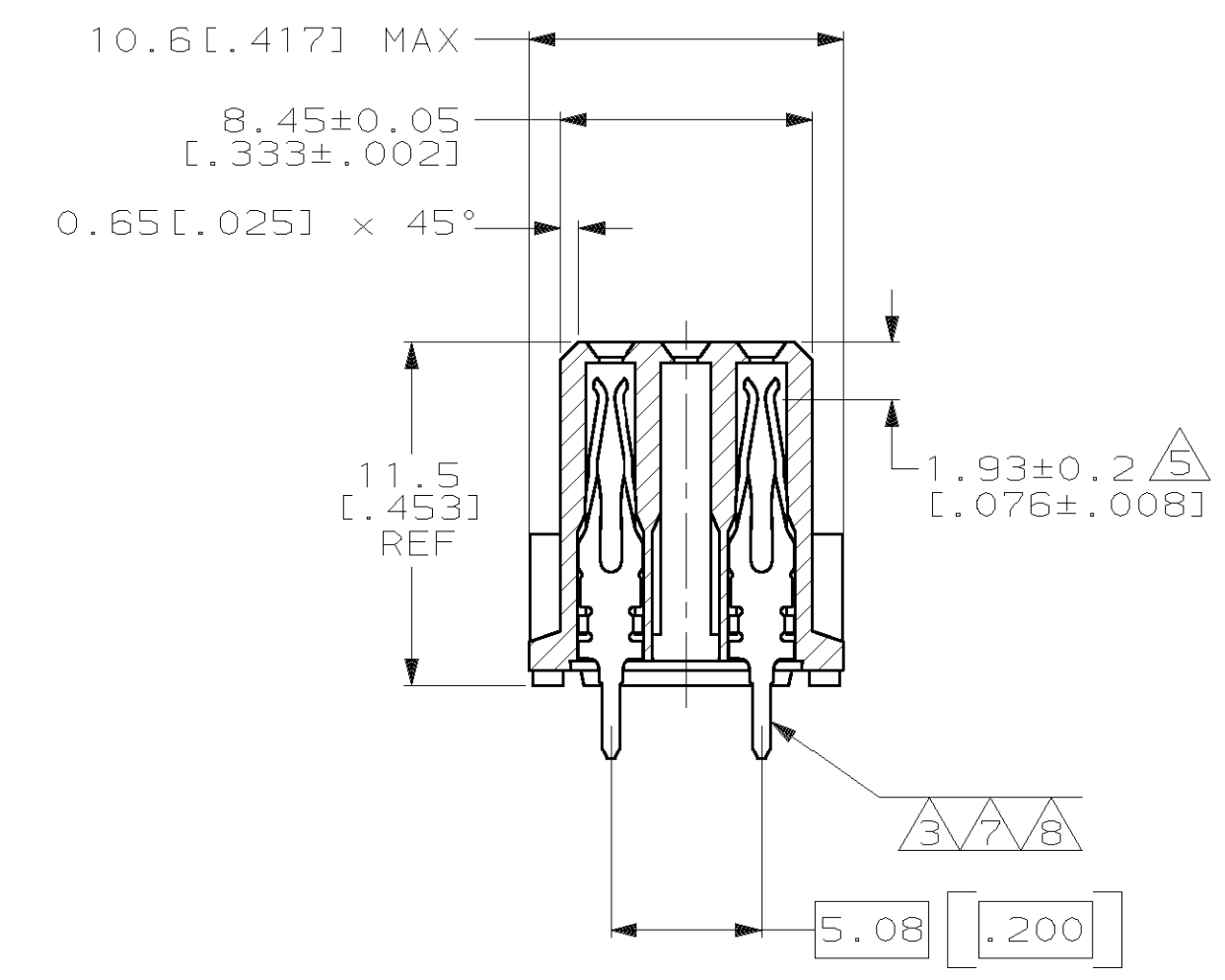


LOC	DIST	P	F	ZONE	LTR	REVISIONS	DATE	APPD
AD	25					0 DRAWN	-	-
						A ADD -9	1/15/91	LSB
						B ECN AD5297	1/23/91	LSB
						C ECN AD5876	11/19/91	LSB
						D EC 0010-0428-94	5/16/94	LSB
						E EC 0010-1431-95	1/17/96	RAP
						F EC 0010-1491-95	4/1/96	CR
						G REV PER EC 001B-0367-00	09 JAN 01	CR



- ① HOUSING MATERIAL: GLASS-FILLED POLYESTER. COLOR: GRAY.
- ② CONTACT MATERIAL: PHOSPHOR BRONZE.
- ③ CONTACT FINISH: 0.00076[.000030] GOLD IN CONTACT AREA. 0.00127[.000050] NICKEL UNDERPLATE ALL OVER. TIN-LEAD ON POSTS.
- ④ PART NUMBER, DATE CODE IDENTIFICATION, CSA LOGO IN THIS APPROXIMATE AREA.
- ⑤ POINT OF MEASUREMENT FOR GOLD.
- ⑥ RECOMMENDED HOLE SIZE FOR MANUAL APPLICATION OF CONNECTOR ONTO PC BOARD.
- ⑦ CONTACT FINISH: DIN 41612 CLASS 3 IN CONTACT AREA. 0.00127[.000050] NICKEL UNDERPLATE ALL OVER. TIN-LEAD ON POSTS.
- ⑧ CONTACT FINISH: DIN 41612 CLASS 2 IN CONTACT AREA. 0.00127[.000050] NICKEL UNDERPLATE ALL OVER. TIN-LEAD ON POSTS.



SECTION X-X

NOTES	POSITIONS LOADED	C	B	A	NO. OF LOADED POSITION	ASSY PART NUMBER
OBSOLETE	1 THRU 16	X	-	X	32	650459-9
	1 THRU 16	X	-	X	32	650459-5
SUPERSEDED BY 650459-5	1 THRU 16	X	-	X	32	650459-4

DO NOT SCALE PRINT. UNLESS SPECIFIED DIMENSIONS IN mm [INCHES] TOLERANCES ON:	DR L. BRINER 3/14/90	AMP INCORPORATED Harrisburg, Pa. 17105
1 PLC DEC ± -	CHK N. DRASHER 3/22/90	
2 PLC DEC ± 0.13[.005]	APPD N. DRASHER 3/22/90	
ANGLES ± -	APPD K.R. PARMER 3/22/90	
MATERIAL HSG ①	PRODUCT SPEC -	RECEPTACLE ASSEMBLY, EUROCARD, TYPE "C"
CONT ②	APPLICATION SPEC -	SIZE D 00779
FINISH CONT ③④⑤⑥⑦⑧	WEIGHT -	FSCM NO 00779
		DRAWING NO 650459
		SCALE 4:1
		SHEET 1 OF 1